

Thrust Ball Bearings

Bearing No. : **NACHI 53207U**

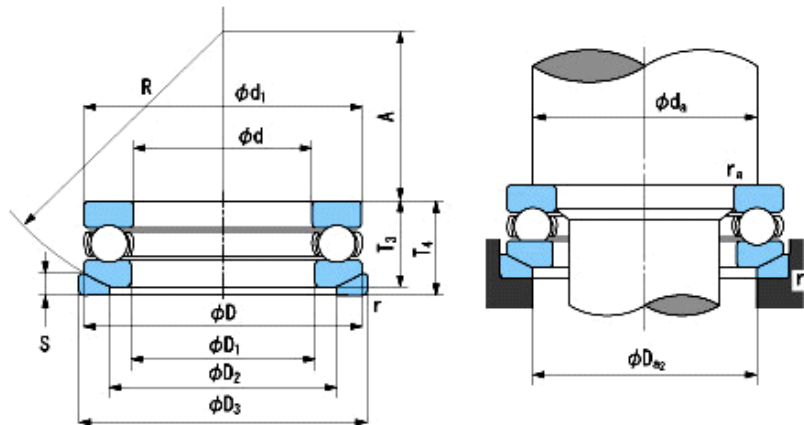
■ Bearing Type

■ Clearance

■ Tolerance Class

Dimensions

d = 35	0 -0.012
D = 62	0 -0.019
T3 = 19.9	
T4 = 22	
r = 1~2.2	
(Radial Direction and Axial Direction)	
d1(max) = 62	
D1(min) = 37	
D2 = 48	
D3 = 65	
S = 7	
R = 50	
A = 24	



Dimensions
da(min) = 51
Da2(max) = 48
ra(max) = 1
Mass = 0.29 kg

Basic Dynamic Load Rating Ca :	39,000 N
Basic Static Load Rating Coa :	78,000 N
Limiting Speed ;	
Grease Lubrication :	2,900 min ⁻¹
Oil Lubrication :	4,400 min ⁻¹

	INNER RING	OUTER RING
O.D.Surface Runout with Side :		-
Axial Runout with Bore :	-	-
Axial Runout with Raceway :	-	-
Width Variation :	-	-
Radial Runout :	-	-